

UG101 Ullage Gauge

The Liquip Ullage Gauge (UG101) can be mounted onto any Liquip manhole cover.

Once fitted and the compartment calibrated, it can be securely locked and sealed in position to allow visual verification of the product in the compartment reaching the safe fill level.

Ordering Information

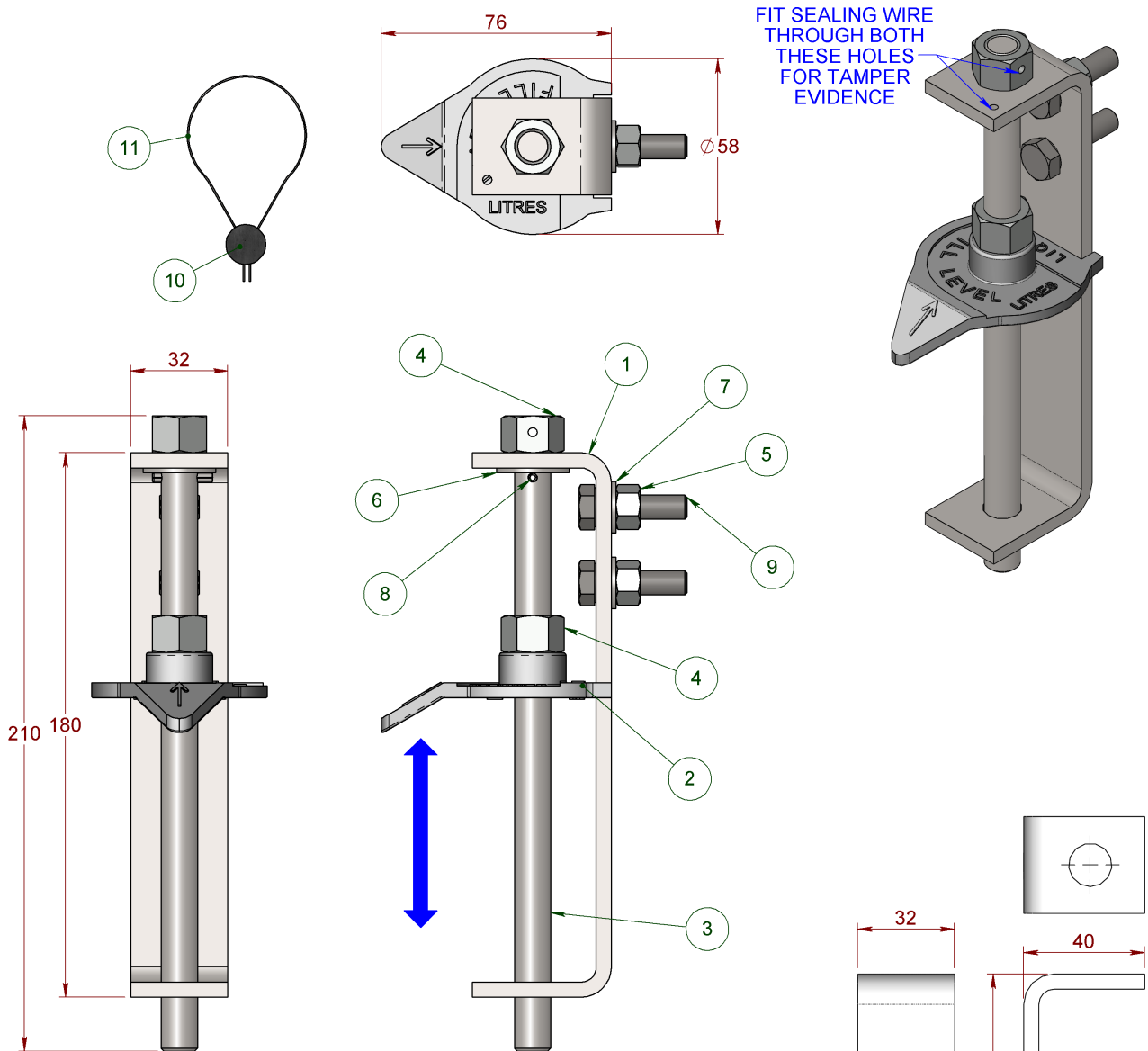
UG101 Ullage Gauge

Associated Equipment

All Liquip Manholes/Hatches



UG101 Ullage Gauge



| 11 | 2190 | WIRE SEALING | 0.4 | ST STEEL |
|----------|-------------|-------------------------|-----|-----------|
| 10 | 2094 | SEAL LEAD | 1 | LEAD |
| 9 | 4965 | SETSCREW METRIC | 2 | Z/P STEEL |
| 8 | 2645 | SPRING (ROLL) PIN | 1 | Z/P STEEL |
| 7 | 6667 | WASHER FLAT | 2 | Z/P STEEL |
| 6 | 5266 | WASHER FLAT | 1 | Z/P STEEL |
| 5 | 6666 | NUT METRIC | 2 | Z/P STEEL |
| 4 | 4971 | NUT METRIC | 2 | Z/P STEEL |
| 3 | 71321 | PRECISION ALLTHREAD ROD | 1 | STEEL |
| 2 | UG101-1 | LEVEL INDICATOR | 1 | ALUMINIUM |
| 1 | UG101-3 | BRACKET | 1 | STEEL |
| ITEM NO. | PART NUMBER | DESCRIPTION | QTY | MATERIAL |

70652 MOUNTING BRACKET (OPTIONAL)

METERS - VALVES - VENTS - MANHOLES - HOSEREELS - OVERFILL PROTECTION - LOADING ARMS - ELECTRONIC DIPSTICKS



LIQUIP INTERNATIONAL PTY LTD
 13 HUME ROAD SMITHFIELD SYDNEY N.S.W. AUSTRALIA 2164
 Phone: +61 2 9725-9000 Fax: +61 2 9725-1252 Web: www.liquip.com

X1200003
 Sheet 1 of 1
 Issue: B