

PRODUCT DELIVERY "TITEFILL" ELBOW

The LTE series product delivery elbows connect discharge hoses from a road tanker to a fill point on underground storage tanks fitted with Liquip titefill adaptors or similar. Liquip's product delivery elbows allow for a quick and safe product transfer. They include spring loaded levers allowing the elbows to snap on securely to a side seal tite fill adaptor with minimal pressure. The latest models of 4" LTE elbows are still fitted with Viton base seals and are now fitted NBR sight glass seals, which provide the same functionality as existing LTE's (unless otherwise specified).

Spare parts remain interchangeable between various models.



LTE4X4 shown

Key Features

- Spill free during discharge of tank trucks.
- Incorporated sightglass as standard for 360° view of product flow.
- Sealing on the bottom connection is via lip seal on the side of the LTA adaptors the surface is rarely worn.
- Ergonomic design for added operator safety.
- Easy connection at the top is via standard camlock.
- Spring loaded levers that snap onto adaptors with minimal pressure.
- Can now be purchased with a locking ring which will prevent the elbow from inadvertently dislodging during use - refer suffix "R" on item number or they can be purchased and fitted separately (P/N: LTE4-RINGZ).

Ordering Information

Item	Description
LTE3X3	Elbow Titefill 80mm x 80mm Camlock Cork
LTE3X4	Elbow Titefill 100mm x 80mm Camlock NBR
LTE4X4	Elbow Titefill 100mm x 100mm Camlock NBR
LTE4X4VG	Elbow Titefill 100mm x 100mm Camlock Viton GFLT
LTE3X4R	Elbow Titefill 100mm x 80mm Camlock c/w Locking Ring
LTE4X4R	Elbow Titefill 100mm x 100mm Camlock c/w Locking Ring
LTE4X4VGR	Elbow Titefill 100mm x 100mm Camlock Viton GFLT c/w Locking Ring
LTE4-RINGZ	Locking Ring Kit Suit LTE4 series Titefill Elbows



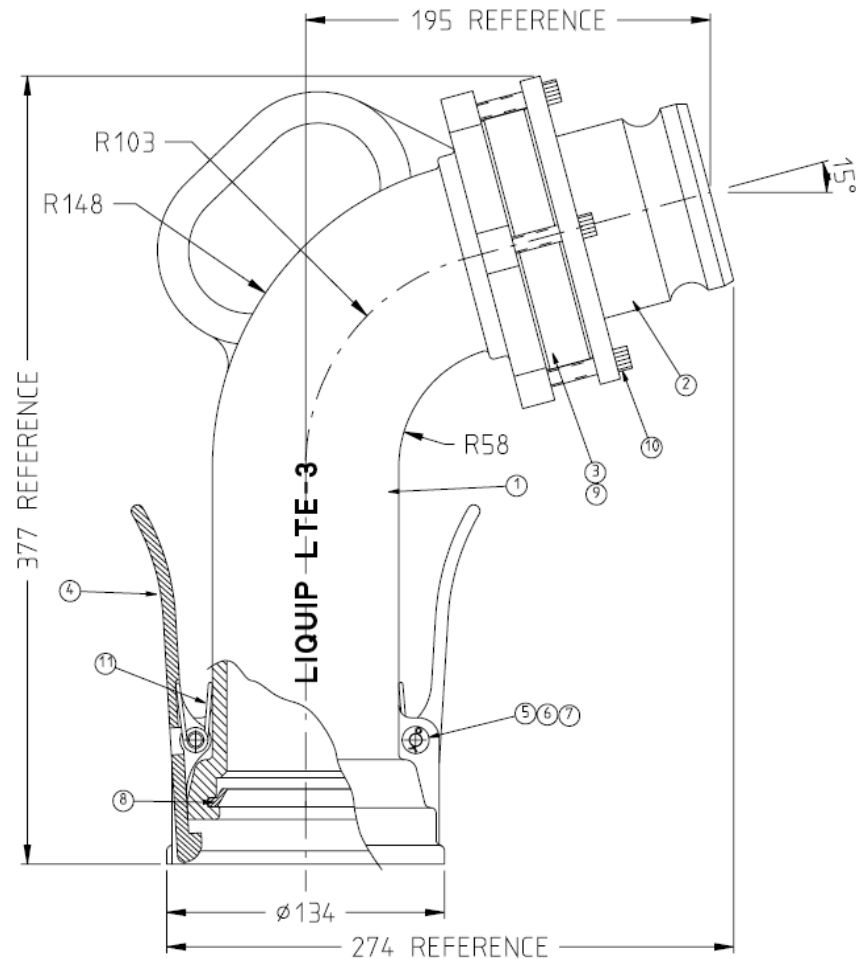
LTE4-RINGZ prevents LTE elbow inadvertently dislodging during use

Specifications

PURPOSE	This elbow is used to connect discharge hoses from road tankers to fill underground storage tanks fitted with titefill adaptors LTA4X4 and LTA4X3
VARIANTS	3"/4" body and 3"/4" camlock.
MATERIALS OF CONSTRUCTION	<ul style="list-style-type: none"> • Aluminium body • Acrylic sightglass • LTE3X3 has Viton A seal, Viton GFLT available for use with Ethanol blends. • LTE3X4 AND LTE4X4 variants now available with NBR seals which provide the same functionality, form and fit as existing LTE's (unless otherwise specified).
WEIGHT	3.9KG
PERIODIC SERVICE	No set period. Service as required. If the seal is damaged or worn no disassembly is required just remove and replace.
MOUNTING	Hand mounted push and click with quick release clip levers.
TECHNICAL DATA	100mm bore all through for minimum pressure drop. LTE4X4 style is fitted with a 100mm male camlock on the inlet end. LTE3X4 style is fitted with a 80mm male camlock on the inlet end.

LIQUIP

LTE3X3



ITEM	PART NO	DESCRIPTION	QTY	MATERIAL	DRAWING No
1	LTE3-1	ELBOW BODY			L1311
2	LTE4-1-3L	CAMLOCK 3" FLANGED MALE			L1
3	LTE4-SG	SIGHT GLASS	1	ALUMINUM	L1175
4	LTE4-8S	LEVER	2	ST. STEEL	L1162
5	1081	CLEVIS PIN	2	M/S Z/P	
6	0100	WASHER FLAT	2	M/S Z/P	
7	0757	COTTER PIN	2	M/S Z/P	
8	4544	LIP SEAL	1	VITON A	P4544
9	4238	GASKET FOR LTE4	2	NEOCORK	P4238
10	0717	CAPSCREW	4	M/S Z/P	
11	LTE4-9	SPRING	2	M/S Z/P	L1162

X750399

Issue: D

* ITEM 8 4544 VITON A SEAL IS ALSO AVAILABLE AS VITON GFLT FOR USE WITH ETHANOL - PART 4544VG

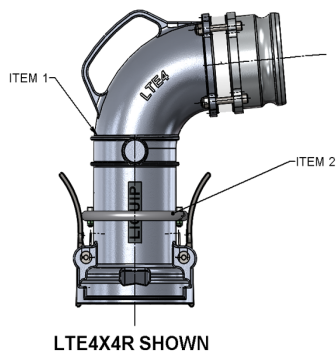
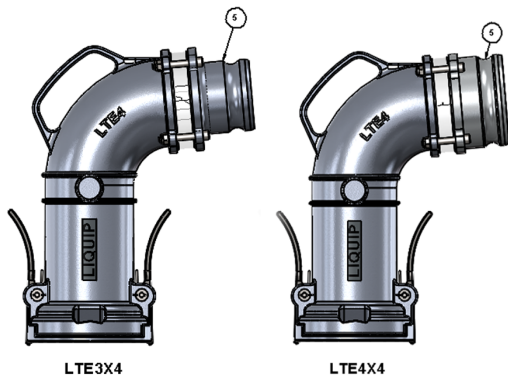
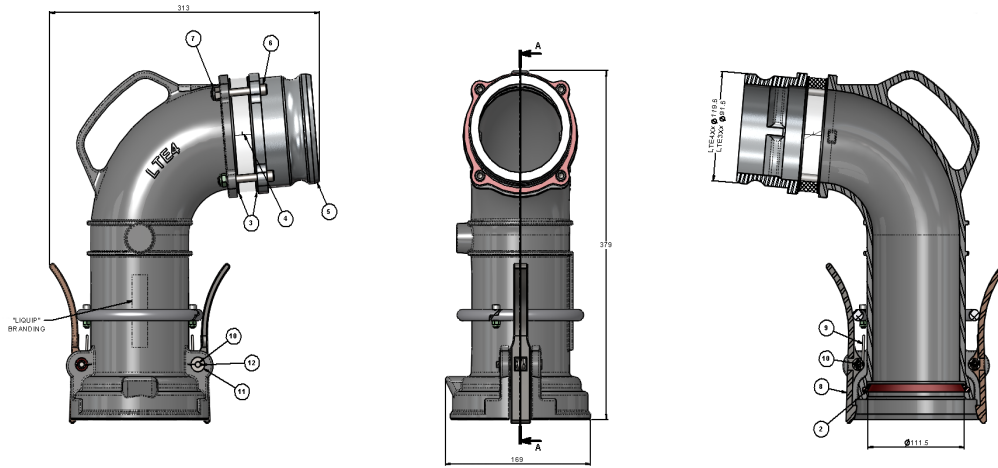
Associated Equipment

Item	Description
LTA3X2Z	Adaptor Titefill Brass 3" x 2" Kit
LTA3X3	Adaptor Titefill Brass 3" Titefill x 3" BSP Thread
LTA4X3	Adaptor Titefill Brass 4" Titefill x 3" BSP Thread
LTA4X4	Adaptor Titefill Brass 4" Titefill x 4" BSP Thread



LIQUIP

LTE3X4 & LTE4X4



LTE4X4R SHOWN

ITEM	PART NUMBER	DESCRIPTION	DESCRIPTION (CONT')	LTE4X4VGR	LTE3X4	LTE4X4	MATERIAL
1	LTE4-140	TITFILL ELBOW LTE	LIQUIP BRANDED	1	1	1	ALUMINIUM
2	LTE4-7VG	LIP SEAL	4" TITFILL ELBOW	1	-	-	VITON
	LTE4-7	LIP SEAL	4" TITFILL ELBOW	-	1	1	VITON
3	4238NBR	GASKET FOR TITFILL ELBOWS		2	2	2	NBR 70
4	LTE4-SG	SIGHTGLASS ACRYLIC	FOR TITFILL ELBOWS	1	1	1	ACRYLIC
5	LTE4-1-4L	TITFILL 4" CAMLOCK	MALE	1	-	1	ALUMINIUM
	LTE4-1-3L	CAMLOCK 80mm FLANGED MALE	FOR ELBOW TIGHTFILL ANTI-SPILL	-	1	-	ALUMINIUM
6	4804	CAPSCREW IMPERIAL	5/8" BSW x 2 1/4" LONG	4	4	4	ZP STEEL
7	D149	NUT NYLOC	5/8" BSW	4	4	4	ZP STEEL
8	LTE4-8S	LEVER FOR TITFILL ELBOW		2	2	2	ST STEEL
9	LTE4-9	SPRING FOR TITFILL ELBOWS		2	2	2	ZP STEEL
10	1081	CLEVIS PIN	Ø1/4" x 2" LONG	2	2	2	ZP STEEL
11	D100	WASHER FLAT	1/4" x 5/8" OD	2	2	2	ZP STEEL
12	3757	SPLIT PIN	1/16" x 1/2" LONG	2	2	2	ZP STEEL
13	LTE4-RING	RING - TITFILL ELBOW		-	-	-	REFER BOM

ITEM	PART NUMBER	LTE3X4R	LTE4X4R	LTE4X4VGR
1	LTE3X4	1		
	LTE4X4		1	
	LTE4X4VGR			1
2	LTE4-RING	1	1	1

Associated Equipment

Item	Description
LTA3X2Z	Adaptor Titefill Brass 3" x 2" Kit
LTA3X3	Adaptor Titefill Brass 3" Titefill x 3" BSP Thread
LTA4X3	Adaptor Titefill Brass 4" Titefill x 3" BSP Thread
LTA4X4	Adaptor Titefill Brass 4" Titefill x 4" BSP Thread