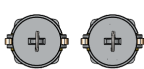
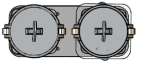
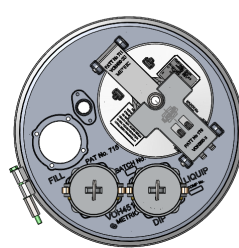
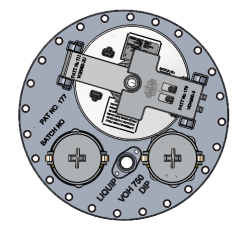



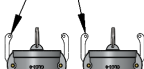


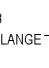





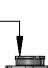

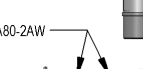
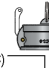






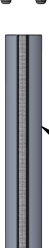









Dip & Fill Adaptors and their uses

DIP & FILL ADAPTORS AND THEIR USES

<u>REMOTE MOUNT</u>		<u>MANHOLE MOUNTED</u>	
<p>WELD IN DIP ADAPTORS</p> 	<p>WELD ON DIP PADS</p> 	<p>VOH 410 VOH411 (METRIC) VOH451 (METRIC)</p> 	<p>VOH 700 SERIES</p> 
<p>DBC50</p>  <p>DBA50 TAPPED BLIND</p>  <p>DTM80</p>  <p>NA80-2AW</p>  <p>FTA80</p>  <p>DTA80</p>  <p>FTA80-3 WELD FLANGE</p>  <p>DP3TC</p>  <p>DP3L TAPPED BLIND</p>  <p>DP3M-1</p>  <p>DP3.0-1A TAPPED BLIND</p> 		<p>DBC50</p>  <p>DBA50 TAPPED BLIND</p>  <p>DTM80</p>  <p>NA80-2AW</p>  <p>FTA80</p>  <p>DTA80</p>  <p>FTA80 FTA80M(METRIC)</p>  <p>DTA80 DTA80M(METRIC)</p> 	
<p>FILL</p>  <p>DIP</p>  <p>FILL</p>  <p>DIP</p> 		<p>FILL</p>  <p>DIP</p>  <p>FILL</p>  <p>DIP</p>  <p>FTB3-2200</p>  <p>DTS3-2200</p> 	

METERS - VALVES - VENTS - MANHOLES - HOSEREELS - OVERFILL PROTECTION - LOADING ARMS - ELECTRONIC DIPSTICKS



LIQUIP
PART OF OPW a DOVER company

LIQUIP INTERNATIONAL PTY LTD

Web: www.liquip.com

X350020

Sheet 1 of 1
Issue: A